

# Street Swipe Owners Manual

SERIAL NO. \_\_\_\_\_

IF YOU HAVE ANY QUESTIONS PLEASE CONTACT US AT

**BY MAIL:**

**AMMBUSHER INC.  
PO Box 456  
Dillsboro, IN 47018**

**SHIPPING ADDRESS:**

**10470 INDUSTRIAL CIRCLE  
DILLSBORO, IN 47018**

**BY PHONE:**

**1-800-432-5955  
812-432-3484 FAX**

**BY E-MAIL:**

**[jawad@ambusher.com](mailto:jawad@ambusher.com)**

REV.12/03

# STREET SWIPE

## TABLE OF CONTENTS

<b>DESCRIPTION</b>	<b>PAGE</b>
General Description .....	1
Features and Advantages .....	1
<b>SAFETY</b>	
Safety Decal Location .....	1
Operating Safety .....	2
Hydraulic Safety .....	2-3
<b>OPERATION</b>	
Operation and Hookups .....	3 & 4
<b>SERVICE AND MAINTENANCE</b>	
Lubricating .....	4
Reversing Rubber Edges - Top to Bottom .....	4-5
Reversing Rubber Edges - Front to Back .....	5
Replacing Rubber Edges .....	5
Replacing Hydraulic Cylinder/Hoses .....	5
Parts List .....	6
Parts Breakdown .....	7
<b>WARRANTY</b>	
Exclusion of Warranties .....	8
<b>SIGN OFF FORM</b> .....	Insert Sheet



**This Safety Alert Symbol means:**

**“ATTENTION! BE ALERT!  
YOUR SAFETY IS INVOLVED!”**

# INTRODUCTION

## GENERAL DESCRIPTION

The Street Swipe attachment will fit and work on most every type and model of skid steer loader. The Street Swipe is currently in use cleaning streets, paved lots, stalls, animal pens and cargo barges. It is also used in final grading for landscaping where a danger exists of damaging water meters or concrete sidewalks and driveways.

Material or debris can be pushed straight forward and backward or windrowed by use of the power angle feature.

Please take time to review and familiarize yourself with this owners manual, paying special attention to the "Safety and Operations" sections.

## FEATURES AND ADVANTAGES

The Street Swipe is shipped complete. It is easily assembled with standard hand tools, and ready to hook up to any skid steer loader with a universal style attachment bracket. Hydraulic hose ends are the no spill (flat face) style. The unit has a power angle feature to move material to the direction you want. It is simple and easy to operate and maintain.

## SAFETY DECALS AND DECAL LOCATIONS

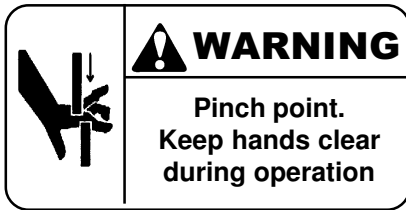


The decals on the Street Swipe attachment are shown below. Good safety requires that you familiarize yourself with the various safety decals, the type of warning, and the type of hazard. If safety decals have been damaged, removed, become illegible or parts replaced without decals, new decals must be applied. New labels are available from your authorized dealer or from Ammbusher Inc. **NOTE: See parts breakdown for proper decal placement.**

1. Keep safety decals and signs clean and legible at all times.
2. Replace safety decals and signs that are missing or have become illegible.

Decals included in Decal Kit 84883:

1. Made in USA
2. Read Owners Manual
3. Hydraulic Safety Decal
4. Owners Manual
5. Patent Decal
6. Pinch Point



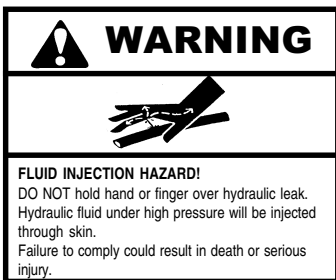
PN 84883 Decal Kit  
#50 Owners Manual



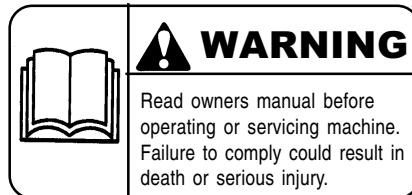
PN84883 Decal Kit  
#32 Owners Manual



PN84883 Decal Kit  
#45 Patent No.



PN84883 Decal Kit



PN84883 Decal Kit  
#46 Read Owners Manual



PN 84883 Decal Kit  
#48 American Flag

# SAFETY



**Remember, YOU are the key to safety. Good safety practices not only protect you but also the people around you from injury or death.**

## OPERATING SAFETY



1. Read and understand the Owner's Manual and all safety decals before connecting, disconnecting, or adjusting or operating this machine.
2. Do not allow riders on this attachment during operation or transport.
3. Always shut off engines and hydraulic power and wait for all moving parts to stop before servicing, adjusting, repairing or disconnecting.
4. Use caution when stepping over hydraulic hoses or entering and exiting machine.
5. Insure that lockdown levers and lockdown pins are fully engaged and that the Street Swipe is securely mounted to your skid steer loader prior to operating.
6. Do not stand on or near the Street Swipe whenever operating the hydraulic power angle feature. Never operate the hydraulic power angle cylinder to align cylinder mounting holes to install pins.
7. Always wear your seat belt and avoid hitting fixed, immovable objects. Doing so could bend the unit or cause a failure of the hydraulic cylinder, and throw the operator forward in the loader cab.
8. Always wear leather gloves when working on your Street Swipe. The rubber wear strips contain steel wires which can cut or penetrate your fingers/hands.
9. Routinely review all safety instructions with users or operators. This manual along with the basic rules of safety must be explained to those users or operators who cannot read.
10. Use caution when operating on roadways and congested areas.
11. When backdragging to clean an area, pea gravel or other debris may flip into the operator cab. For this reason always use eye protection or a cab door when operating the Street Swipe.
12. When cleaning in a forward motion, pea gravel or other types of debris may flip up and strike bystanders or other objects. For this reason always review the surroundings before and during operation of Street Swipe.

## HYDRAULIC SAFETY

1. To avoid unexpected movement from your loader, always place hydraulic controls in neutral and turn off before dismounting.
2. Make sure that all components in the hydraulic system are kept in good condition and are clean.
3. Replace any worn, cut, abraded, flattened, or crimped hoses and fittings.
4. Place hydraulic controls in neutral, and wait for all moving parts to stop before servicing, adjusting, repairing or unplugging.



### **WARNING**



#### **FLUID INJECTION HAZARD!**

DO NOT hold hand or finger over hydraulic leak. Hydraulic fluid under high pressure will be injected through skin. Failure to comply could result in death or serious injury.

Hydraulic safety con.

5. Do not attempt any makeshift repairs of the hydraulic lines, fittings or hoses by use of tape or clamps. The hydraulic system operates under extreme high-pressure. Such repairs may fail suddenly and create a hazardous and unsafe condition.
6. Before applying pressure to the system, make sure all components are tight and that lines, hoses, and quick couplings are properly connected.
7. Wear proper hand and eye protection when searching for a hydraulic leak. Use a piece of wood or cardboard as a backstop instead of hands to find a leak.



**Hydraulic fluid escaping under pressure can have sufficient force to penetrate skin and cause serious injury, and if fluid is injected into the skin it must be surgically removed immediately by a doctor familiar with this form of injury or gangrene may result.**



**ONE FINAL WORD**



**You have just finished reading the Street Swipe Safety Section. It is impossible for the manual to cover every potentially hazardous situation you may encounter. But, your knowledge of these safety precautions and your adherence to the basic rules of safety will help build good judgment in all situations. Our objective is to help you develop good safety habits and make you a better operator. The safety manual, safety precautions and basic rules of safety must be explained to those users or operators who cannot read.**

## **OPERATION**

### **OPERATION AND HOOKUP**

The method of operation is as follows:

**Attachment Hookup** - Please refer to your skid steer owners manual. The hookup procedure is the same as other powered attachments for your skid steer loader. Insure that lockdown levers and lockdown pins are fully engaged and that the attachment is securely mounted to your skid steer loader prior to operating.

After attachment hookup, set the Street Swipe on the area to be cleaned. Use the skid steer loader lift and tilt functions to put down pressure on both rubber strips. Drive your skid steer loader forward and/or in reverse to clean the street or lot/surface.

**NOTE:** The surface conditions to be cleaned are different for each job site. Make minor adjustments in the tilt angle, down pressure and driving speed to eliminate chatter and increase cleaning effectiveness. Depending on the surface to be cleaned, a short break-in period may be necessary to reduce chatter. To break-in the rubber, lift the Street Swipe 8-12 inches off the ground, then with the tilt controls, roll the Street Swipe down to contact the street. Drive forward to perform the cleaning operation. continue operating in this manner until chatter is reduced and the Street Swipe can be operated in a more "level" position - with both rubber edges contacting the street or area to be cleaned.

**Hydraulic Hookup:** Your Street Swipe has been equipped with quick disconnect couplers. Coupling and uncoupling is effected by moving back the external sleeve and attaching it to the hydraulic coupler on the skid steer.



**Caution: When backing up the skid steer loader, always insure the area behind is clear of people and objects and watch where you are driving. Insure area is clear of bystanders before operating the power angle feature or when working with the loader.**

### Reversing Rubber Edges Continued

4. Carefully roll over or flip the rubber head assembly onto the (2) two supports so that the worn rubber edges are now on top and the “new” rubber edges are setting on the supports.
5. Drive the skid steer loader forward and lower the Street Swipe mounting plate enough to align it to the (6) six holes in rubber head assembly .

**NOTE:** Ammbusher recommends replacing mounting nuts and washers. Replace with (6) six new sets of nuts and washers. Kit 002 (1 Kit needed)

6. Reinstall and tighten (6) six mounting bolts and nuts. Torque to 200 ft. lbs.

## **REVERSING RUBBER EDGES - FRONT TO BACK**

Inspect the front and rear squeegee rubber for even wearing. If you drive forward (pushing) the majority of the time, the front squeegee rubber will wear much faster than the rear rubber. If this occurs, do the following:

1. Lock the Street Swipe onto your loader as described above.
2. Set the Street Swipe on the ground.
3. Remove stainless steel pin, rue ring cotter, and collar (See Figure 2, items 12,13,5).
4. Backup loader. This will withdraw the Street Swipe from the rubber head assembly.
5. Drive to the other side and reinsert the Street Swipe tube into the rubber head assembly tube.
6. Reinstall collar, stainless steel pin, rue ring cotter and tighten (See Figure 2, items 12,13,5).

## **REPLACING RUBBER EDGES**



**When the Street Swipe rubber edges are worn out, they will need to be replaced. Wear proper hand and eye protection when working on unit. Rubber edges may have exposed steel belts.**

Both tire treads should face in, towards each other. While attached to the skid steer loader, set the Street Swipe on the ground. Turn off skid steer loader. Remove (9) nine nuts & washers on each rubber strip. Using the skid steer loader, raise the Street Swipe 1-2 inches off the ground. Remove the (2) two rubber strips, steel backing bars and bolts. See items 6,7,8,9,14 in Fig. 2. Reinstall new rubber, washers, bolts, and steel backing bars. Tighten (18) eighteen nuts and bolts.

## **REPLACING HYDRAULIC CYLINDER/HYDRAULIC HOSES**



**Hydraulic fluid escaping under pressure can have sufficient force to penetrate skin and cause serious injury, and if fluid is injected into the skin it must be surgically removed immediately by a doctor familiar with this form of injury or gangrene may result.**

Wear proper hand and eye protection. Position hydraulic cylinder near mid-stroke. Turn off skid steer loader and disconnect quick-disconnect couplers from loader. Remove keeper pins from cylinder end mounting pins.

Remove (2) two cylinder end mounting pins. See Fig. 2, Items #22,23,24. Remove hoses from hose clamp. The hoses and cylinder can now be taken apart on a bench with minimal oil spillage. Use caution when loosening fittings. Some pressure may remain in lines. Effect repairs or replacement to cylinder or hoses as necessary and reverse above procedure to reinstall cylinder and hoses, making sure to clamp hoses in hose clamp, as near as possible to their original location.

**NOTE:** Do not stroke the cylinder to align the end mounding pins. Align these pins by lifting the Street Swipe with the skid steer loader several inches off the ground, then pivot the rubber head by hand to align the cylinder end pins.

Operation and Hookup con.

To clear debris from the top of the Street Swipe, raise it while rolling it down with the skid steer loader controls to allow the material to be dislodged and fall to the ground.

**Note:** Bumping the skid steer loader controls will assist in dislodging wet or sticky material from the attachment.

## SERVICE AND MAINTENANCE



If working on unit while attached to your skid steer loader, make sure the Street Swipe unit is properly locked onto the loader. Place hydraulic controls in neutral, and wait for all moving parts to stop, shut loader off before servicing, adjusting, repairing or unplugging.

### LUBRICATING GREASE POINTS

Grease the unit daily with a standard high pressure grease at the (6) six grease zirks. Locations are shown on Fig. 2 drawing on page 6, Part #29 & 35.

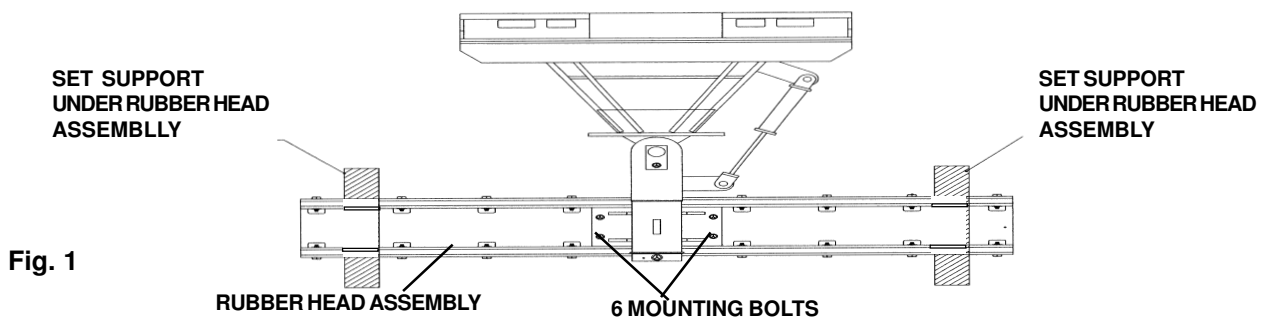


Fig. 1

### REVERSING RUBBER EDGES - TOP TO BOTTOM



Make sure unit is properly locked onto loader. Place hydraulic controls in neutral, and wait for all moving parts to stop, shut loader off before servicing, adjusting, repairing or unplugging. Wear proper hand and eye protection when working on unit. Rubber edges may have exposed steel belts.

The top rubber edge on the dual "Rubber Head Assembly" can be easily reversed. To perform this operation: (see Fig. 1)

1. The rubber head assembly must be supported as shown in Fig.1. Using the loader, gently set the unit on the (2) two supports.

**NOTE:** Supports need to be tall enough to allow hand and wrench clearance when removing 6 mounting nuts and bolts. Supports must also be wide enough to keep the head assembly from rolling off of the support surface during maintenance.

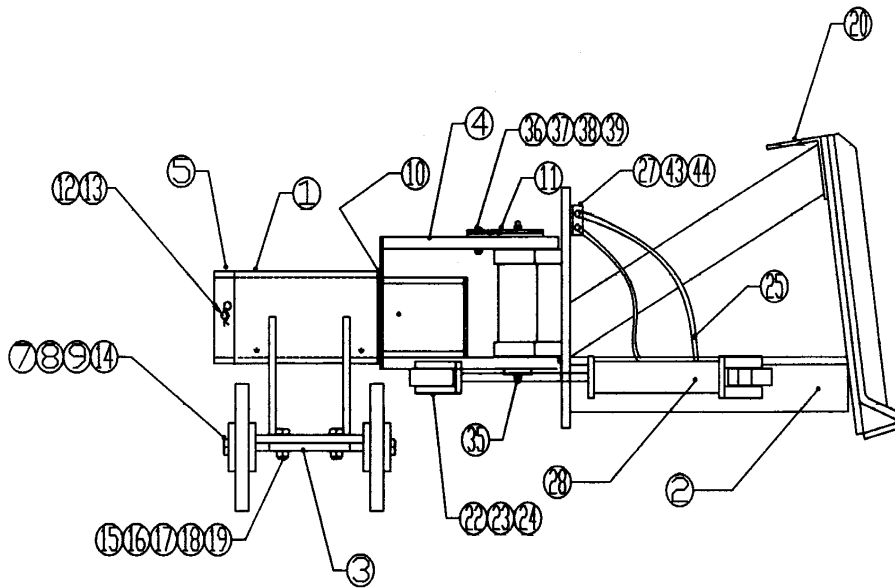
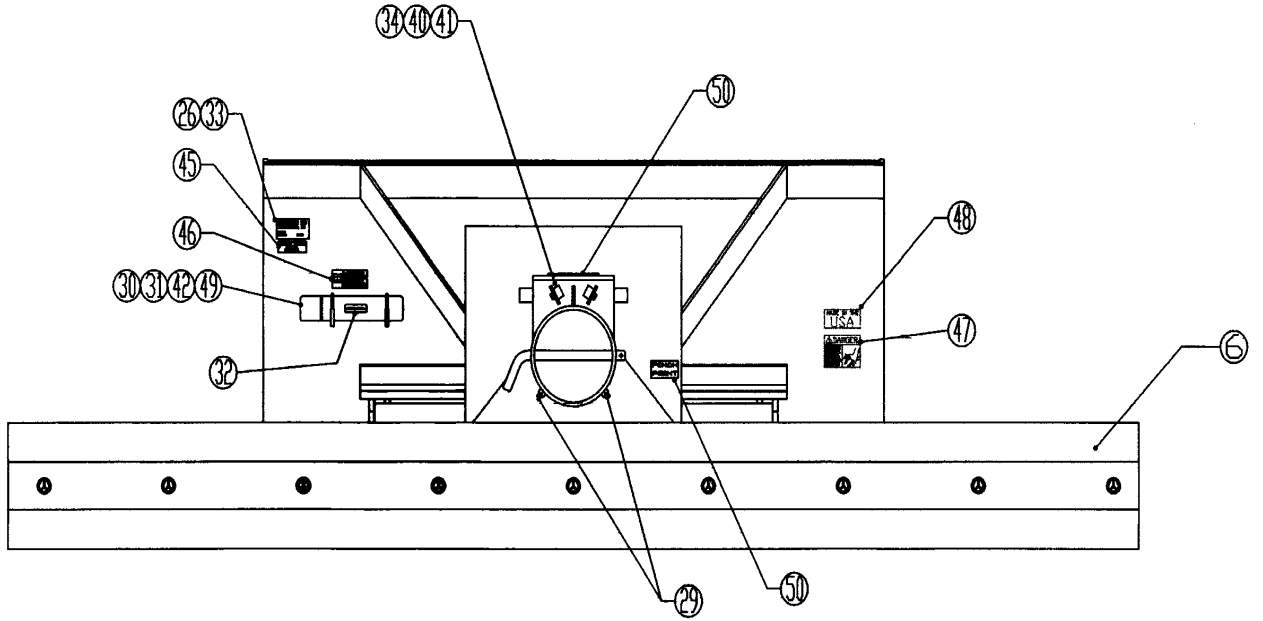
2. Remove the (6) six mounting bolts, nuts and washers.
3. Using the skid steer loader, pickup the Street Swipe unit enough for the head assembly mounting plate to clear the top of the rubber strip when backing up. Back away from the rubber head assembly.

## PARTS LIST

F/N	P/N	QTY	DESCRIPTION
1	84977	1	SWIVEL ARM WELDMENT
2	84979	1	EXTENSION ARM WELDMENT
3	84981	1	BEAM WELDMENT
4	84978	1	PIVOT ARM WELDMENT
5	84834	1	TUBE CAP COLLAR
6	84880	2	RUBBER STRIP
7	84845	18	1/2" DIA. X 2 3/4" LONG GRADE 5 BOLT
8	84333	18	1/2" DIA. LOCK WASHER
9	84332	18	1/2" LOCK NUT
10	84823	1	WASHER
11	84974	1	PIVOT PIN WELDMENT
12	84967	1	PIVOT TUBE COLLAR PIN
13	84840	1	5/8" RUE RING COTTER PIN
14	84831	2	RUBBER RETAINER
15	84876	6	3/4" DIA. LOCK WASHER
16	84970	6	3/4" DIA. - 16 HEX HEAD JAM NUT
17	84671	6	3/4" DIA. FLAT WASHER
18	84971	6	3/4" DIA - 16 X 2 1/2" LONG GRADE 8 BOLT
19	84968	6	3/4" DIA - 16 HEX NUT
20	84882	1	SKID TAPE KIT
21	84883	1	DECAL LABEL KIT
22	84758	2	1" X 3 1/2" LONG ZINC PLATED PIN
23	84759	2	1" WASHER
24	84837	2	1" RUE RING
25	84950	1	1/4" HOSE ASSEMBLY KIT
26	84966	1	ID TAG HOLE DETAIL
27	84776-2	1	3/8" HOSE CLAMP BOLT
28	84881	1	3" X 8" STROKE CYLINDER
29	85000	4	1/4"-28 PT 45 DEGREES GREASE ZIRK
30	84861	1	OWNERS MANUAL CONTAINER
31	84862-2	2	OWNERS MANUAL BRACKET U-BOLT
32	*	1	OWNERS MANUAL DECAL
33	84961	4	#6 X 1/4" ROUND HD S.S. DRIVE RIVET
34	84962	2	LOAD RATED BUMPER
35	84964	2	3/8" - 24 STRAIGHT THREAD GREASE ZIRK
36	85001	1	3/8" - 16 X 2 1/4" LONG GRADE 5 BOLT
37	84623	1	3/8" - 16 HEX NYLOCK
38	84340	1	3/8" FLAT WASHER
39	84669	1	3/8" LOCK WASHER
40	84972	2	5/16" - 18 X 3/4" LONG BOLT
41	84973	2	5/16" SPLIT LOCKWASHER
42	84862-3	4	5/16" NUT FOR U-BOLT
43	84776-3	1	3/8" HOSE CLAMP METAL TOP
44	84776-4	1	3/8" HOSE CLAMP PLASTIC MIDDLE
45	*	1	PATENT NO. DECAL
46	*	1	WARNING READ OWNERS MANUAL DECAL
47	*	1	WARNING FLUID INJECTION DECAL
48	*	1	MADE IN USA DECAL
49	N/A	1	Owners Manual
50	*	2	Pinch Point Label

\* All labels purchased by kit number 84883.

# PARTS BREAKDOWN



# STREET SWIPE WARRANTY

AMMBUSHER, Inc. warrants each new product to be free from defects in material and workmanship.

For 90 days from the date of purchase, when the attachment has been maintained and lubricated in accordance with the operating and maintenance instructions in the Owners Manual, AMMBUSHER will replace free of charge, any defect in material or workmanship in this product.

## EXCLUSIONS OF WARRANTIES

This warranty excludes:

Parts which are expendable and become worn during normal use.

Repairs on the STREET SWIPE because of alteration, an accident, or operator abuse or negligence, including the failure to maintain and operate the equipment according to instructions contained in the Owners Manual, or if repairs have been made with parts other than those obtainable through AMMBUSHER, Inc.

Our obligation under this warranty shall be limited to repairing and replacing, free of charge to the original purchaser, any part that in our judgement shows evidence of a defect, provided the part is routed through the dealer and distributor from whom the purchase was made, transportation charges prepaid.

This warranty shall not be interpreted to render us liable for injury or damages of any kind. This warranty does not extend to any expense or loss incurred for labor, supplies, substitute machinery rental, or any other reason.

This warranty is subject to any existing condition of supply which may directly affect our ability to obtain materials or manufacture replacement parts.

AMMBUSHER, Inc. reserves the right to make improvements in design or changes in specifications at any time, without incurring any obligations to owners of units previously sold.

No one is authorized to alter, modify, or enlarge this warranty nor the exclusions, limitations and reservations.

Every AMMBUSHER product is the highest quality. If you wish to contact us regarding this product, please call toll free between 8:00 a.m. and 4:30 p.m. EST, Monday through Friday. 1-800-432-5955.

# DEALER REGISTRATION FORM

## DELIVERY REPORT

Owner's Name \_\_\_\_\_

Address \_\_\_\_\_

Delivery Date \_\_\_\_\_ Model No. \_\_\_\_\_

Dealer's Name \_\_\_\_\_ Serial No. \_\_\_\_\_

Address \_\_\_\_\_

Using the operator's manual as a guide, instruction was given as indicated by the check marks.

- Instruct customer on the operation of the STREET SWIPE. Emphasize safety and discuss the safety information in the operator's manual and skid-steer loader safety.
- Advise customer to use the seat belt at all times.
- Explain how to perform the recommended lubrication and periodic service.
- Explain maintenance and adjustment instructions.
- Demonstrate how to mount and dismount STREET SWIPE to the loader and explain latch operation.
- Make certain the customer has his Owners Manual.
- Record model and serial numbers at front of Owners Manual.
- Explain warranty policy.

Dealer representative's signature \_\_\_\_\_ Date \_\_\_\_\_

I have been instructed in the operation, maintenance, and safety features of this machine as detailed in the operator's manual.

Owner's signature \_\_\_\_\_ Date \_\_\_\_\_

**Keep this copy for your records.**

# REGISTRATION FORM

## DELIVERY REPORT

Owner's Name \_\_\_\_\_

Address \_\_\_\_\_

Delivery Date \_\_\_\_\_ Model No. \_\_\_\_\_

Dealer's Name \_\_\_\_\_ Serial No. \_\_\_\_\_

Address \_\_\_\_\_

Using the operator's manual as a guide, instruction was given as indicated by the check marks.

- ( ) Instruct customer on the operation of the STREET SWIPE. Emphasize safety and discuss the safety information in the operator's manual and skid-steer loader safety.
- ( ) Advise customer to use the seat belt at all times.
- ( ) Explain how to perform the recommended lubrication and periodic service.
- ( ) Explain maintenance and adjustment instructions.
- ( ) Demonstrate how to mount and dismount STREET SWIPE to the loader and explain latch operation.
- ( ) Make certain the customer has his Owners Manual.
- ( ) Record model and serial numbers at front of Owners Manual.
- ( ) Explain warranty policy.

Dealer representative's signature \_\_\_\_\_ Date \_\_\_\_\_

I have been instructed in the operation, maintenance, and safety features of this machine as detailed in the operator's manual.

Owner's signature \_\_\_\_\_ Date \_\_\_\_\_

**PLEASE RETURN TO: Ammbusher, Inc., P.O. Box 456, Dillsboro, IN 47018**