

# WARRANTY ISSUES

## LIMITED WARRANTY

AMMBUSHER, Inc. warrants each new product to be free from defects in material and workmanship.

For 90 days from the date of purchase, when the attachment has been maintained and lubricated in accordance with the operating and maintenance instructions in the Owners Manual, AMMBUSHER will replace free of charge, any defect in material or workmanship in this product.

### *This warranty does not cover:*

This warranty excludes parts which are expendable and become worn during normal use.

Our obligation under this warranty shall be limited to repairing and replacing, free of charge to the original purchaser, any part that in our judgement shows evidence of a defect, provided the part is routed through the dealer and distributor from whom the purchase was made, transportation charges prepaid.

This warranty shall not be interpreted to render us liable for injury or damages of any kind. This warranty does not extend to any expense or loss incurred for labor, supplies, substitute machinery rental, or any other reason.

This warranty is subject to any existing condition of supply which may directly affect our ability to obtain materials or manufacture replacement parts.

AMMBUSHER, Inc. reserves the right to make improvements in design or changes in specifications at any time, without incurring any obligations to owners of units previously sold.

No one is authorized to alter, modify, or enlarge this warranty nor the exclusions, limitations and reservations.

Every AMMBUSHER product is the highest quality. If you wish to contact us regarding this product, please call toll free between 8:00 a.m. and 4:30 p.m. EST, Monday through Friday. 1-800-432-5955.

### IF YOU HAVE ANY QUESTIONS PLEASE CONTACT US AT:

BY MAIL: AMMBUSHER INC.  
PO Box 456  
10470 Industrial Circle  
Dillsboro, IN 47018

85360

BY PHONE: 1-800-432-5955  
812-432-3484 FAX

BY E-MAIL: [information@ammbusher.com](mailto:information@ammbusher.com)

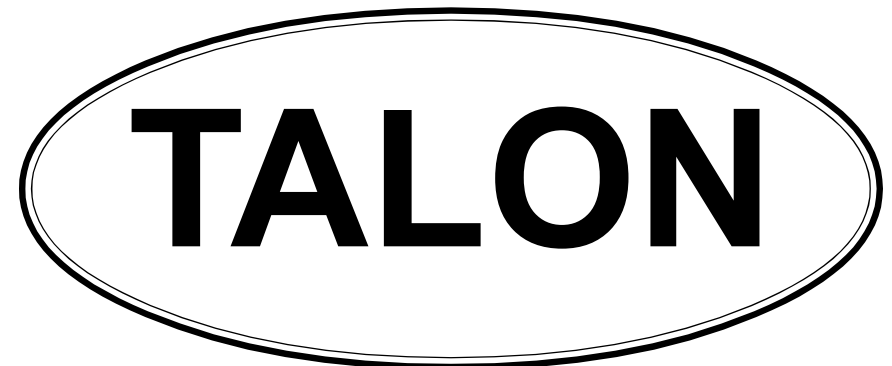
# BRUSH GRAPPLE

AMMBUSHER INC.

Skid Steer Attachments

## HEAVY DUTY BRUSH GRAPPLE

OWNERS MANUAL

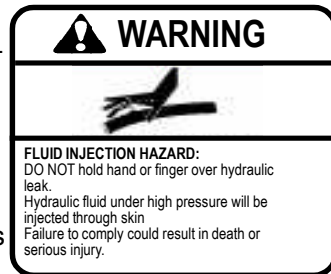


REV: 85360 3/07

## SAFETY INFORMATION



**HYDRAULIC LEAK WARNING LABEL**  
AMMBUSHER equipment has been designed to reduce the likelihood of hydraulic system leakage. Over time any hydraulic system may develop fluid leaks and very small leaks may produce high-pressure discharge flows capable of causing injury should skin come in contact with such discharge.



### WORK SAFELY FOLLOW THE RULES! ADDITIONAL SAFETY INFORMATION

1. Use caution when entering or exiting loader to avoid tripping on hoses. Use “grip steel” steps when entering or exiting loader.
2. Always use the recommended loader seat belts and pull down safety bars.
3. Do not carry passengers on the grapple.
4. Never leave the Grapple unattended in a raised or open position.
5. The loader and grapple should be stopped and inspected for damage after striking a foreign immovable object and the damage should be repaired before continuing.
6. Stay alert for drop-offs or holes in the terrain.
7. Use only in daylight or good artificial light.
8. Inspect bolt, nuts and screws along with greasing zirks to be sure the equipment is in safe working condition.
9. Reduce speed on slopes and make turns gradually to prevent tipping or loss of control.
10. Exercise caution when lifting objects. Pay particular attention to location of overhead power lines or other low-hanging structures.
11. Children are small, be aware of their presence and ALWAYS make sure you can see what you are picking up.
12. Always wear safety glasses and/or a skid steer cab door when operating equipment.
13. Use caution when operating equipment around bystanders. Work materials could be “flipped” and strike a bystander.

## OPERATING INSTRUCTIONS

### 1. PREPARATION:

Wear sturdy, rough-soled work shoes, in addition to protective equipment for hands, hearing and head. Wear safety glasses or use a safety door to prevent injury from objects entering the loader cab.

### 2. HOOKUP - The hookup procedure is the same as other powered attachments for your skid loader

- a. Pull up and connect the Grapple to your loader
- b. Secure lock down levers
- d. Connect (2) hydraulic hoses.



**CAUTION: DO NOT EXCEED RATED WEIGHT CAPACITY OF YOUR MODEL LOADER.**

Refer to loader's operator manual for safe lift capacities. Carry the Grapple as low as possible at all times. If you must lift higher to dump or reach be certain that the combined weight of the grapple, plus the load within, does not exceed manufacturer's lifting capacity for your loader.

## OWNER & MAINTENANCE RESPONSIBILITY

1. READ THE OWNERS MANUAL
2. READ Safety Information section and operate the machine only in a safe manner.
3. Lubricate all 8 grease zirks daily.
4. Keep all safety equipment in working condition.
5. Check all hydraulic hoses for wear, abrasion and cuts. If hose steel mesh is visible, replace hose immediately.
6. When working on any hydraulic system always wear safety glasses for eye protection. Repair minor hydraulic leaks, such as loose hoses and fittings. Use caution when loosening any hydraulic hose or fitting to prevent hydraulic fluid from squirting on to skin or into eyes.
7. Replace any decals that may be damaged or illegible.
8. Use only approved replacement parts for all repairs.
9. Never allow anyone in operator control area while performing adjustments, service or maintenance.

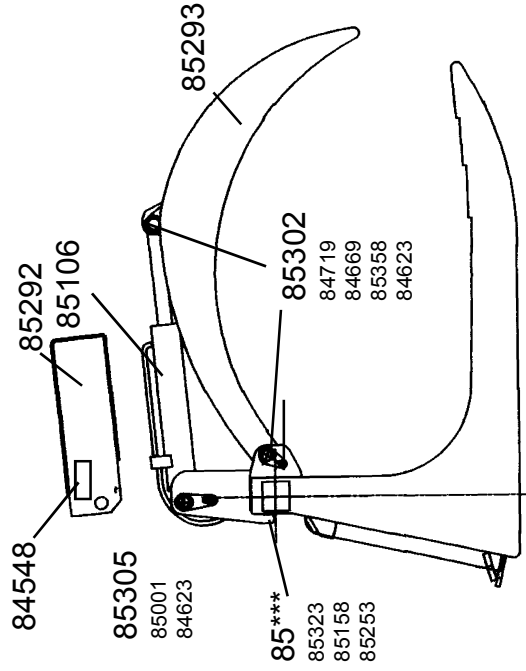


### WARNING

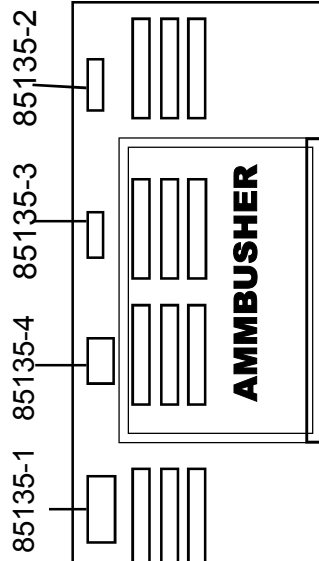
Read owners manual before operating or servicing machine.

# SERVICE PARTS LIST

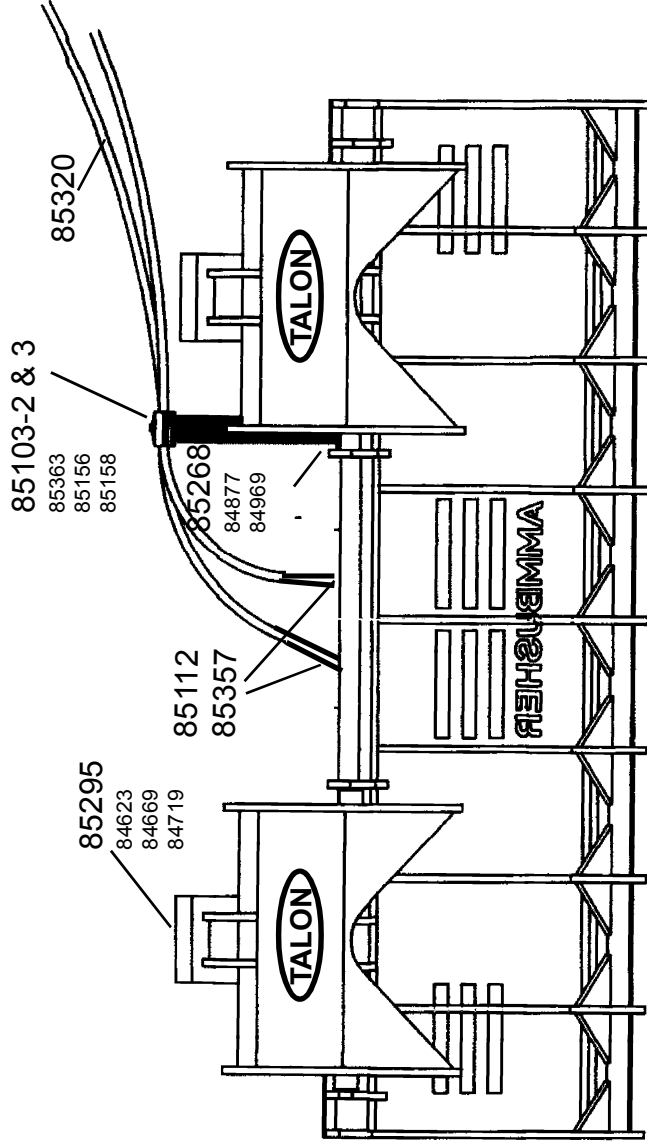
For grapple tine weldment and hydraulic hose information see Illustration 4.



ILLUS. 1 GRAPPLE SIDE VIEW



GRAPPLE BACK VIEW  
ILLUS. 2



GRAPPLE FRONT VIEW  
ILLUS. 3

## ILLUSTRATION 4 HOSE LENGTH TO GRAPPLE TOOTH CYLINDER

Please note that hose lengths and some parts are specific to the size of the grapple.

GRAPPLE HOSES	63"	72"	81"
Left Extension Part #	27.75" 85343	32.25" 85316	36.75" 85344
Right Extension Part #	36.25" 85339	40.75" 85314	45.25" 85340
Right Retract Part #	39.5" 85345	44" 85313	48.5" 85346
Left Retract Part #	47.5" 85341	52" 85315	56.5" 85342

Grapple Tine Weldments	85332	85299	85333
Hose Cover Channel	85326	85303	85327

## SERVICE PARTS LIST

Part #	Qty	Description
85***		Grapple Tine Weldment See Illustration 4
85293	2	Grapple Tooth Weldment
85292	2	Tooth Cylinder Sliding Cover-Box
85302	6	Grapple Cylinder Pin
85305	2	Grapple Rod Pin
85000	4	Grease Zirk
85106	2	Hydraulic Cylinder
85320	2	Grapple to Loader Hose Assy
85103	1	Hose Clamp Kit
85253	2	Bolt 3/8" - 16 x 5/8"
84548	1	ID Tag
85135-3	1	Read Owners Manual Label
85135-4	1	Fluid Injection Hazard Label
85135-2	1	Made in the USA Label
85135-1	1	Grease All Fittings Label
85121	2	Talon Decal
85360	1	Owners Manual
85103	8	Bolt 3/8" x 1"
85001	8	Bolt 3/8" x 2 1/4"
85323	1	Bolt 3/8" x 1 3/4"
84623	16	3/8" Nylock Nut
84669	19	3/8" Lockwasher
84877	1	Nylock Nut 3/4"
84969	2	Flatwasher 3/4"
85295	2	Grapple Tooth Cylinder Bolt on Cover Box
85268	1	Torsion Spring
85**	1	Hose Cover See Illustration 4 page
85112	2	Bulkhead Branch Tee
85357	2	Bulkhead Branch Tee Nut
85363	1	Bolt 5/16" x 2 3/4"
85158	11	5/16" x Flatwasher
85156	1	5/16" Nylock Nut
85359	2	Yellow Skid Strip 9" Long
85364	1	Yellow Skid Strip 31" Long